

## FDT-122/D

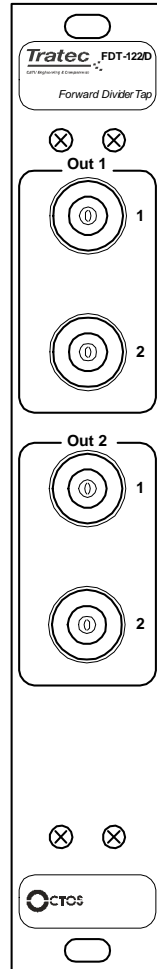
The FDT-122/D is a passive wideband divider with taps. It divides 1 input port to 2 output port. There are two identical modules in one housing.

Description	Min	Typ	Max	Units	Remark
Frequency range	40		862	MHz	
Return loss					
All ports	40 MHz < F < 862 MHz	20		dB	1
Insertion loss					
Input to Output	40 MHz < F < 862 MHz	12	12,5	dB	
Ripple	All ports	± 0.5		dB	
Isolation					
Output to Output	40 MHz < F < 862 MHz	30		dB	
between dividers		80		dB	
Connectors					
Input	Front panel		F Female		2
Outputs	Back panel		F Female		2
Temperature range					
Operational	-10		+55	°C	
EMC					
5 MHz < F < 300 MHz	75	85		dB	3
300 MHz < F < 470 MHz	75	85		dB	4
470 MHz < F < 862 MHz	65	75		dB	4
Marking		CE			
Dimensions	H x W x D	3HE x 4TE x 170 mm			

Remark	
1	At F = 40 MHz F > 40 MHz -1,5 dB/octave
2	According to IEC 169-24
3	Transfer impedance method according IEC 60728-2 (5-30MHz)
4	EN 50083-2 § 4.2.2.2.

Subject	Forward Divider Tap / Double	Version	V 1.0.	Status	Final	Page 1
Part of	Octos System	Date	08/07/2004	Publication	Public	of 1
Remark		Name	GB/JA	Checked by	.	

Front panel



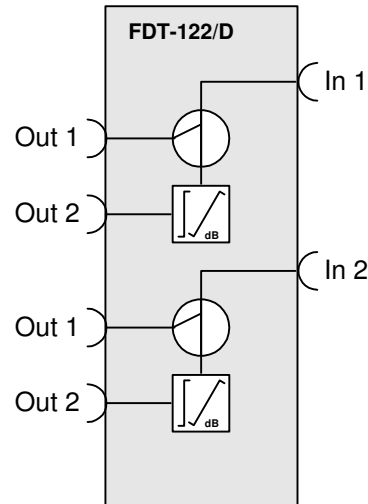
Back panel



Cassette Dimensions

Width: 4 TE  
 Height: 3 HE  
 Depth: ± 170 mm

Subject	Forward Divider Tap 1 to 2 / Dual	Version	V 1.0	Status	Final	Page	
Part of	Octos Sytem	Date	08 / 07 / 2004	File name	F:/		
Remarks	Cassette front and back	Name	Gerrit Boskaljon	Publication	Public		1 of 1



**Cassette Dimensions**

Width: 4 TE  
 Height: 3 HE  
 Depth: ± 170 mm

Subject	Forward Divider Tap 1 to 2 / Dual	Version	V 1.0	Status	Final	Page
Part of	Octos Sytem	Date	08 / 07 / 2004	File name	F:/	1 of 1
Remarks	Block diagram	Name	Gerrit Boskaljon	Publication	Public	

## FDT-124

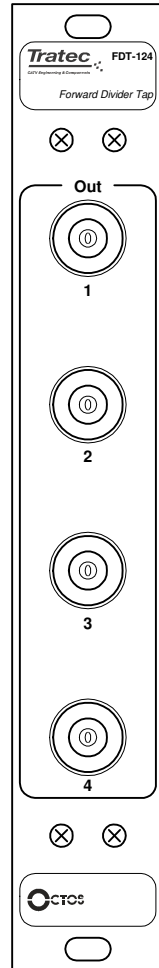
The FDT-124 is a passive wideband divider with taps. It divides 1 input port to 4 output port.

Description	Min	Typ	Max	Units	Remark
Frequency range	5		1000	MHz	
Return loss					
All ports	40 MHz < F < 862 MHz	20		dB	1
Insertion loss					
Input 1..4 to Output	40 MHz < F < 862 MHz	12	12,5	dB	
Ripple	All ports	± 0.5		dB	
Isolation					
Output to Output	4 MHz < F < 862 MHz	30		dB	
Connectors					
Input	Front panel		F Female		2
Outputs	Back panel		F Female		2
Temperature range					
Operational	-10		+55	°C	
EMC					
5 MHz < F < 300 MHz	75	85		dB	3
300 MHz < F < 470 MHz	75	85		dB	4
470 MHz < F < 862 MHz	65	75		dB	4
Marking			CE		
Dimensions	H x W x D		3HE x 4TE x 170 mm		

Remark	
1	At F = 40 MHz F > 40 MHz -1,5 dB/octave
2	According to IEC 169-24
3	Transfer impedance methode according IEC 60728-2 (5-30MHz)
4	EN 50083-2 § 4.2.2.2.

Subject	Forward Divider Tap	Version	V 1.0	Status	Final	Page 1
Part of	Octos System	Date	08 / 07 / 2004	Publication	Public	of 1
Remark		Name	GB/JA	Checked by	.	

Front panel



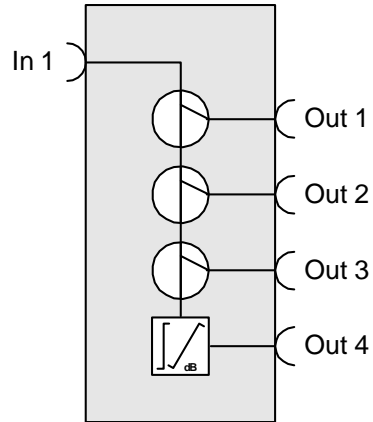
Back panel



Cassette Dimensions

Width: 4 TE  
 Height: 3 HE  
 Depth: ± 170 mm

Subject	Forward Divider Tap 1 to 4	Version	V 1.0	Status	Final	Page
Part of	Octos Sytem	Date	08 / 07 / 2004	File name	F:/	1 of 1
Remarks	Cassette front and back	Name	Gerrit Boskaljon	Publication	Public	



Subject	Forward Divider Tap 1 to 4	Version	V 1.0.	Status	Final	Page
Part of	Octos Sytem	Date	08 / 07 / 2004	File name	F:/	1 of 1
Remarks	Cassette front and back	Name	Gerrit Boskaljon	Publication	Public	

The FAA-113/D is a double wideband amplifier. Its is build in a 3 units high 19" cassette.  
 The cassette contains 2 identical amplifiers of 13 dB. At the output of each amplifier a 20 dB test point is located.

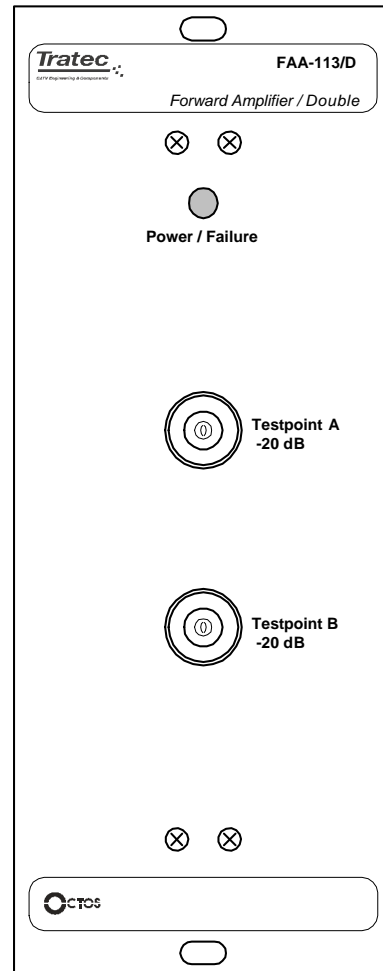
Description	Min	Typ	Max	Units	Remark
Frequency range	Input to output	40	862	MHz	
	Testpoint	40	862	MHz	
Return loss all ports	40 MHz < F < 862 MHz	18		dB	1
Gain	Input to Output		13,5	dB	
Flatness	Output		± 0,5	dB	
	Testpoint		± 1	dB	
Output level			92	dBμV	
Intermodulation	64 channels @92dBuV				
	CTB		-76	dBc	
	CSO		-78	dBc	
Isolation	between A and B amplifier	57		dB	
Noise figure			5	dB	
Testpoint	at output of amplifier		-20	dB	
Supply	voltage		24	V DC	
	current		500	mA	
Connectors	Supply	Back	Phoenix 2 pole		
	Input	Back	F Female		2
	Output	Back	F Female		2
	Testpoint	Front	F Female		2
	Relay	Back	2 mm Female		
Temperature range		+5	+40	°C	
	reduced specifications	0	+55	°C	
Led Indicator	bi colour led		green / red		3
Current monitor	Relays output		Closed contact by red bi colour led		
EMC	30 MHz < F < 470 MHz	75	85	dB	4
	470 MHz < F < 1000 MHz	65	75	dB	4
Marking			CE		
Dimensions			3HE x 10TE x 170mm		

Remark	
1	At F = 40 MHz F > 40 MHz -1,5 dB/octave
2	According to IEC 169-24
3	Optical indication on performance: Green both amplifiers ok Red mal function of one or both amplifiers
4	EN 50083-2 § 4.2.2.2.

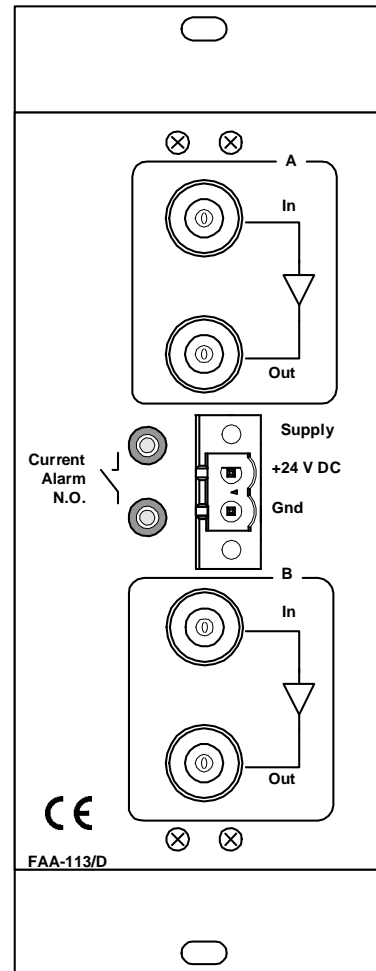
Subject	Forward Amplifier / Double	Version	V 1.0	Status	Final	Page 1
Part of	Octos	Date	08/07/2004	Publication	Public	of 1
Remark		Name	GB/JA	Checked by	.	

## Forward Amplifier / Double FAA-113 / D

Front



Back

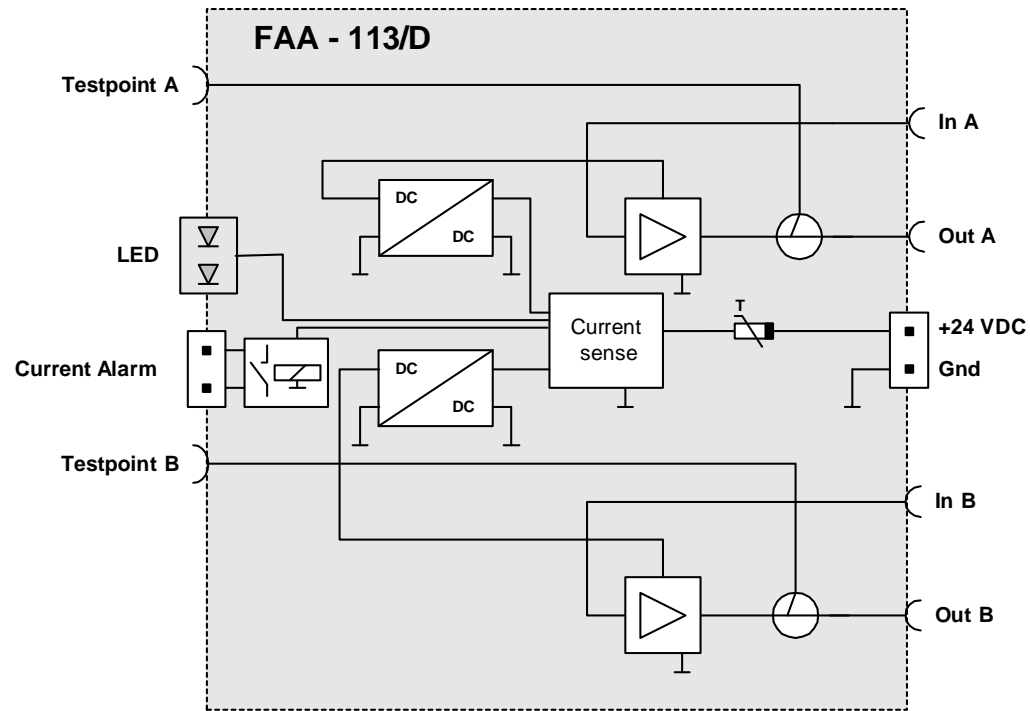


Cassette Dimensions  
 Width: 10 TE  
 Height: 3 HE  
 Depth: 170 mm

Frontpanel 10 TE  
 Backpanel 10 TE  
 Profile 6 HE  
 Heatsink 2 x 2TE

Subject	Forward Amplifier 13 dB / Double	Version	V 1.0	Status	Final	Page
Part of	Octos System	Date	08 / 07 / 2004	File name	F:/	1 of 1
Remarks	Cassette front and back	Name	Gerrit Boskaljon	Publication	Public	

## Forward Amplifier / Double FAA-113 /D



**Cassette Dimensions**

Width: 10 TE  
 Height: 3 HE  
 Depth: 170 mm

Subject	Blockdiagram Forward Amplifier / Double	Version	V 1.0	Status	Final	Page
Part of	Octosystem	Date	08 / 07 / 2004	File name	F:/	1 of 1
Remarks	Cassette front and back	Name	Gerrit Boskaljon	Publication	Public	

## FCI-921/Q

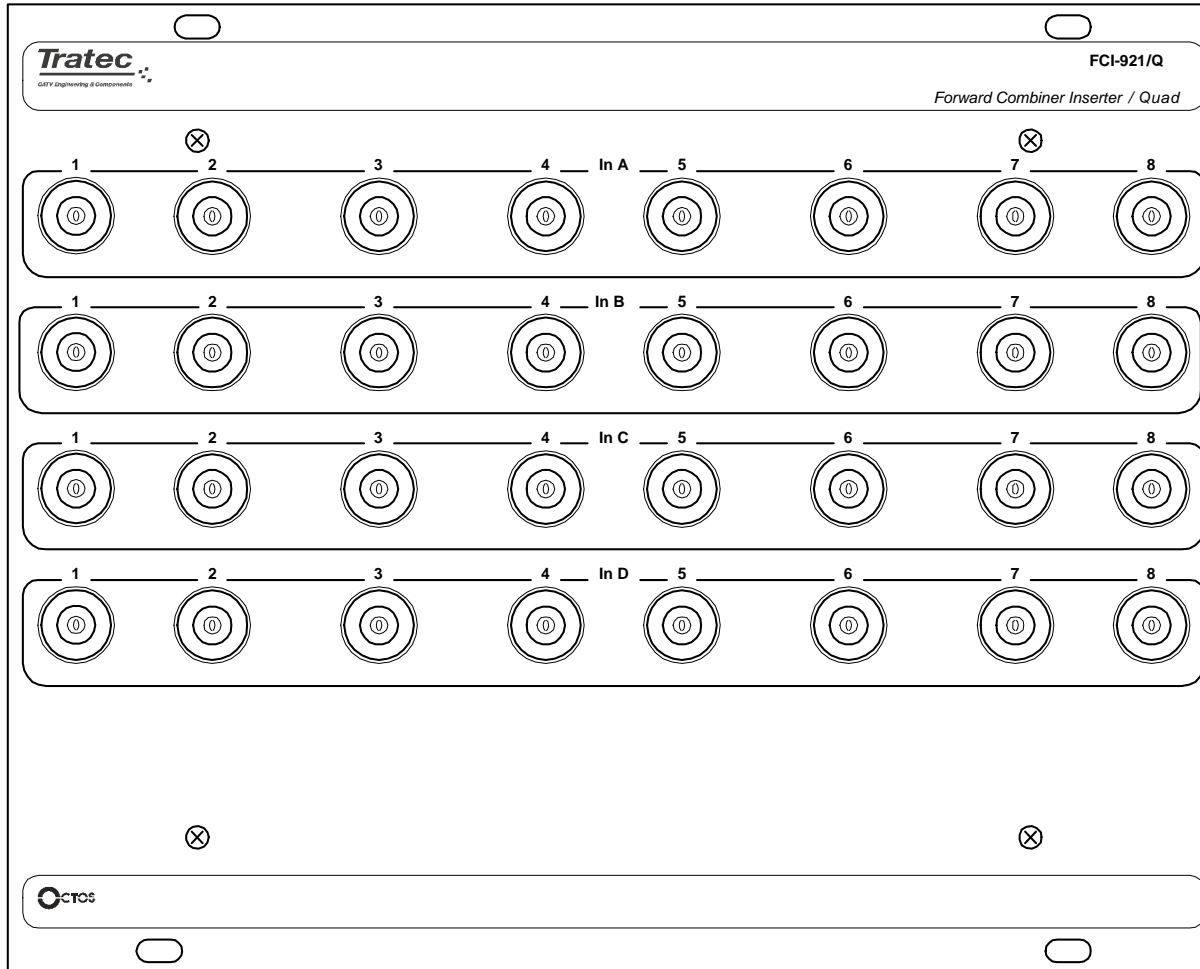
The FCI-921/Q is a passive wideband combiner inserter with taps. It combines 8 input ports to 1 output port. There are four identical modules in one housing. Also a 4 way tap divider is build in. These outputs are combined with the output port of the main combiner.

Description	Min	Typ	Max	Units	Remark
Frequency range	40		862	MHz	
Return loss					
All ports	40 MHz < F < 862 MHz	20		dB	1
Insertion loss					
Input 1..8 to Output A	40 MHz < F < 862 MHz	16,5	17,3	dB	
In 1 to Out 1			1	dB	
Broadband in to Out			21	dB	
Ripple	All ports	± 0.5		dB	
Isolation					
Input to input	40 MHz < F < 862 MHz	30		dB	
between combiners		80		dB	
Connectors					
Input	Front panel		F Female		2
Outputs	Back panel		F Female		2
Temperature range	Operational	-10	+55	°C	
EMC					
5 MHz < F < 300 MHz	75	85		dB	3
300 MHz < F < 470 MHz	75	85		dB	4
470 MHz < F < 862 MHz	65	75		dB	4
Marking		CE			
Dimensions	H x W x D	3HE x 32TE x 205 mm			

Remark	
1	At F = 40 MHz F > 40 MHz -1,5 dB/octave
2	According to IEC 169-24
3	Transfer impedance methode according IEC 60728-2 (5-30MHz)
4	EN 50083-2 § 4.2.2.2.

Subject	Forward Combiner Inserter / Quad	Version	V 1.0	Status	Final	Page 1
Part of	Octos System	Date	08-07-2004	Publication	Public	of 1
Remark		Name	GB/JA	Checked by	.	

Front panel

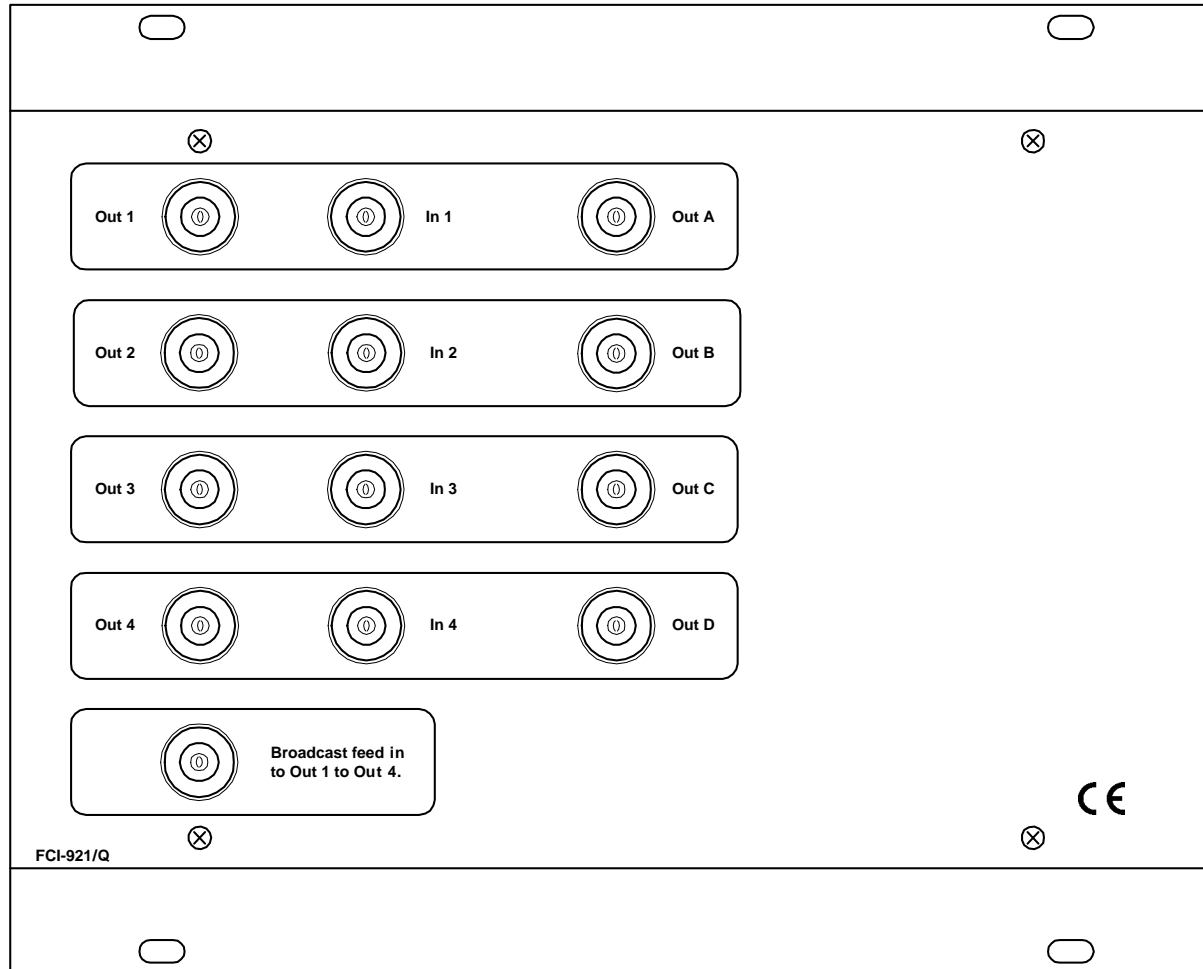


Cassette Dimensions

Width: 32 TE  
 Height: 3 HE  
 Depth: ± 200 mm

Subject	Forward Combiner Inserter 9 to 1 / Quad	Version	V 1.0	Status	Final	Page	
Part of	Octos Sytem	Date	08 / 07 / 2004	File name	F:/		
Remarks	Cassette Frontpanel	Name	Gerrit Boskaljon	Publication	Public		1 of 1

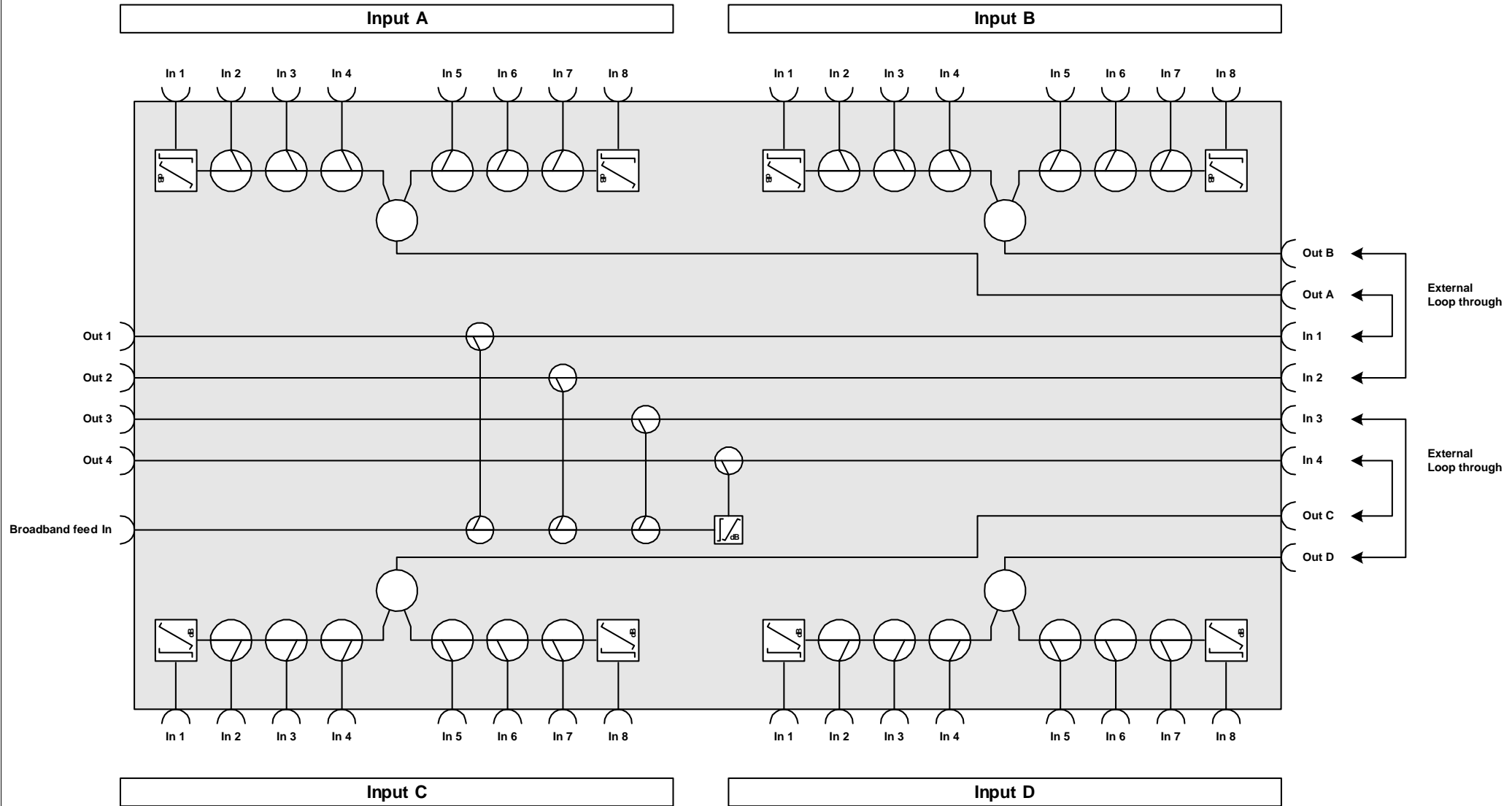
Back panel



**Cassette Dimensions**

Width: 32 TE  
 Height: 3 HE  
 Depth: ± 200 mm

Subject	Forward Combiner Inserter 9 to 1 / Quad	Version	V 10	Status	Final	Page
Part of	Octos Sytem	Date	08 / 07 / 2004	File name	F:/	1 of 1
Remarks	Cassette back	Name	Gerrit Boskaljon	Publication	Public	



Subject	Forward Combiner Inserter 9 to 1 / Quad	Version	V 1.0	Status	final	Page	
Part of	Octos Sytem	Date	08 / 07 / 2004	File name	F:/		
Remarks		Name	Gerrit Boskaljon	Publication	Public	1 of 1	